

# EVO Xavier Spec

- 简介 Brief
- 特性 Features
- 产品规格 Specifications
  - 处理器模组 Processor
  - 接口 I/O
  - 供电 Power Supply
  - 结构 Mechanical
  - 环境 Environmental
  - 认证 Certification
- 产品外观 Appearance
- 尺寸及安装 Install Dimension

## 简介 Brief

米文EVO Xavier是一款专为工业场景设计的嵌入式边缘计算设备。它搭载的NVIDIA® Jetson AGX Xavier能够以30W的低功耗提供高达 30Tops的算力。EVO Xavier采取高效能的被动散热设计，可以在苛刻的工业环境中稳定正常工作。同时鉴于其坚固的嵌入式设计，可以达到很高的抗振等级。EVO Xavier提供了丰富的I/O功能，特别为工业视觉场景提供了PoE+与隔离DI/DO等接口，可以满足多种专用传感器的接入需求。同时EVO Xavier还在内部设计了多种扩展接口，提供更多通讯以及存储扩展方案。

MiiVii EVO Xavier is an embedded edge AI platform designed for industrial application. It supports NVIDIA® Jetson AGX Xavier, featuring over 30TOPs in INT8 for real-time inference. Thanks to MiiVii's passive cooling design, EVO Xavier is capable of effectively dissipating the heat generated by the GPU, and guarantees system operation of up to 60°C ambient temperature. MiiVii EVO Xavier equipped with various I/O interface such as PoE+ and isolated DI/DO. In addition, EVO Xavier also features massive expansion port to enhance accessibility.



## 特性 Features

- 高效直触式被动散热

| *High performance passive cooling system*

- IP5X防护等级满足工业场景需求

| *IP5X Protection*

- 4路千兆PoE+接口，支持IEEE 802.3at协议

| *4xGigabit PoE+ Port, IEEE 802.3at protocol*

- 高抗振等级

Vibration resistance according to IEC 60068

- -20°C-60°C工作温度

-20°C-60°C Operating temperature

- 丰富的接口与可扩展性

Various I/O interface and expansion

## 产品规格 Specifications

### 处理器模组 Processor

	Specification
Processor	NVIDIA Jetson AGX Xavier
AI Performance	Up to 32T OPS
CPU	8-core ARM v8.2 64-bit CPU
GPU	512-core Volta GPU
Memory	32GB 256-Bit LPDDR4 <sup>1</sup>
DL Accelerator	2×NV DLA Engines
Storage	32GB eMMC 5.1
Video Encode	4x 4Kp60 8x 4Kp30 16x 1080p60 32x 1080p30 (H.265)  4x 4Kp60 8x 4Kp30 14x 1080p60 30x 1080p30 (H.264)
Video Decode	2x 8Kp30 6x 4Kp60 12x 4Kp30 26x 1080p60 52x 1080p30 (H.265)  4x 4Kp60 8x 4Kp30 16x 1080p60 32x 1080p30 (H.264)

1

Jetson AGX Xavier DRAM内存规格由16GB提升到32GB。

## 接口 I/O

	Interface	Quantity	Note
Function KEY	Power Button	1	
	Recovery Button	1	
Network/Camera	Ethernet	1×Gigabit Port 4×PoE+ Gigabit Port	IEEE 802.3 at PoE+ 25.5W
Video output	HDMI	1×HDMI 2.0 TYPE A	5V 1A
USB	USB	3×USB 3.1 gen1 TYPE A 1×USB 2.0 TYPE A	USB 5V, 1A USB 2.0 Flashing Port
I/O	UART	2×RS232 2×RS485 1×TTL	DB9 Terminal TTL 3.3V for GPS Function
	CAN	2	Two CAN in One DB9 Terminal With CAN chip, terminal resistor 120
	GPIO	8xIsolated DI 8xIsolated DO	DI 3.3-50V DC DO 5-40V DC
User Expansion	TF Socket	1×TF Slot	MicroSD card supported
	M.2	1×M.2 M Key	2280 SIZE NVME SSD
	Mini PCIe	2	
	Nano SIM Socket	2	For Nano SIM Card

## 供电 Power Supply

Power Supply	Spec
Input Type	DC
Input Voltage	Wide input 14-48V (Optional) 24-48V for PoE
Typical consumption	50W

## 结构 Mechanical

Mechanical	Spec
Dimensions (W×H×D)	226mm×70mm×144.5mm (I/O ports and mounting holes excluded)
Weight	2.3Kg

## 环境 Environmental

Environmental	Spec
Operating Temperature	-20°C-60°C, 0.2~0.3m/s air flow <sup>2</sup>
Storage Temperature	-25°C-80°C

Storage Humidity	10%-90% non-condensing
Vibration	5gn,10Hz~150Hz,3 Axis <sup>3</sup>
Protection	IP5X
ESD	Touch 4KV, Air 8KV
TVS	500V

## 认证 Certification

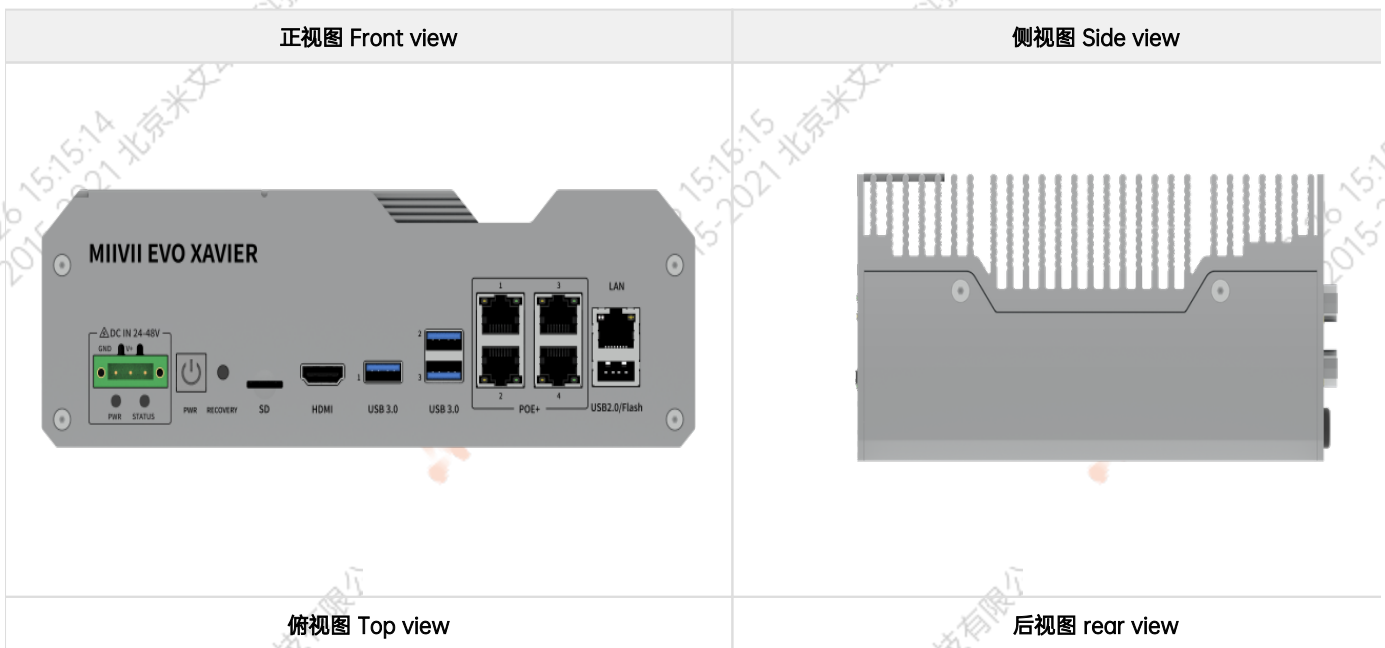
Certification	Status
CCC, CE, FCC, RoHS, SRRC	Processing

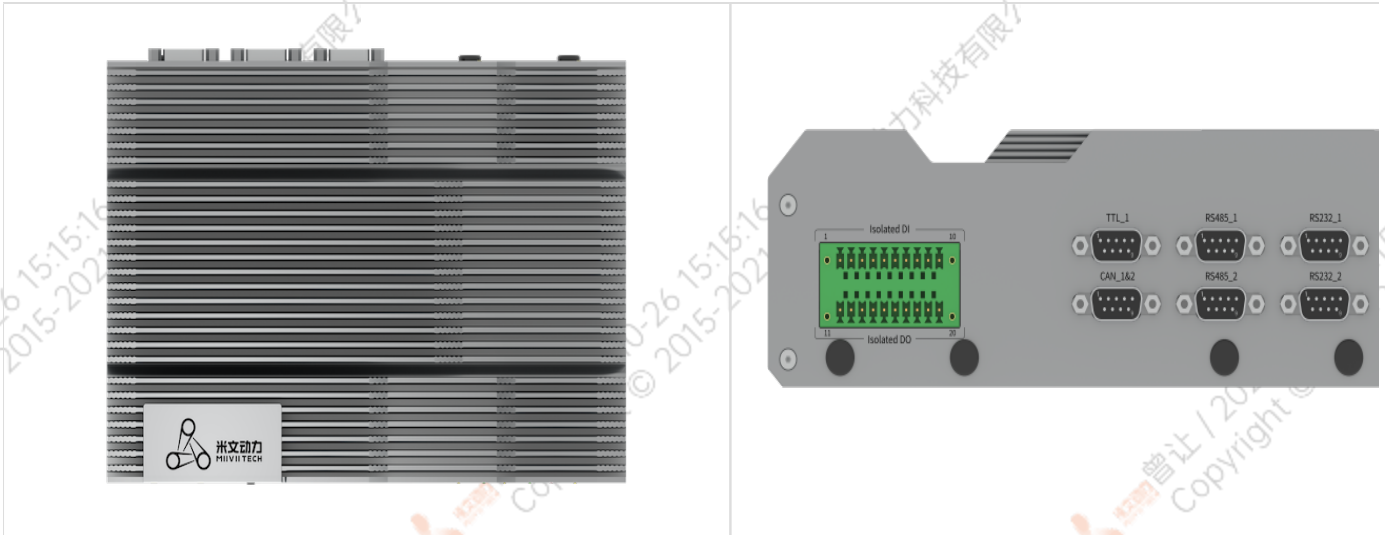
[1] Jetson AGX Xavier DRAM内存规格由16GB提升到32GB。

[2] According to GB/T 2423-2008 60°C以上运行时，运行频率降低 Working frequency is subject to change after temperature reaches 60°C

[3] According to GB/T 2423.10-2008

## 产品外观 Appearance

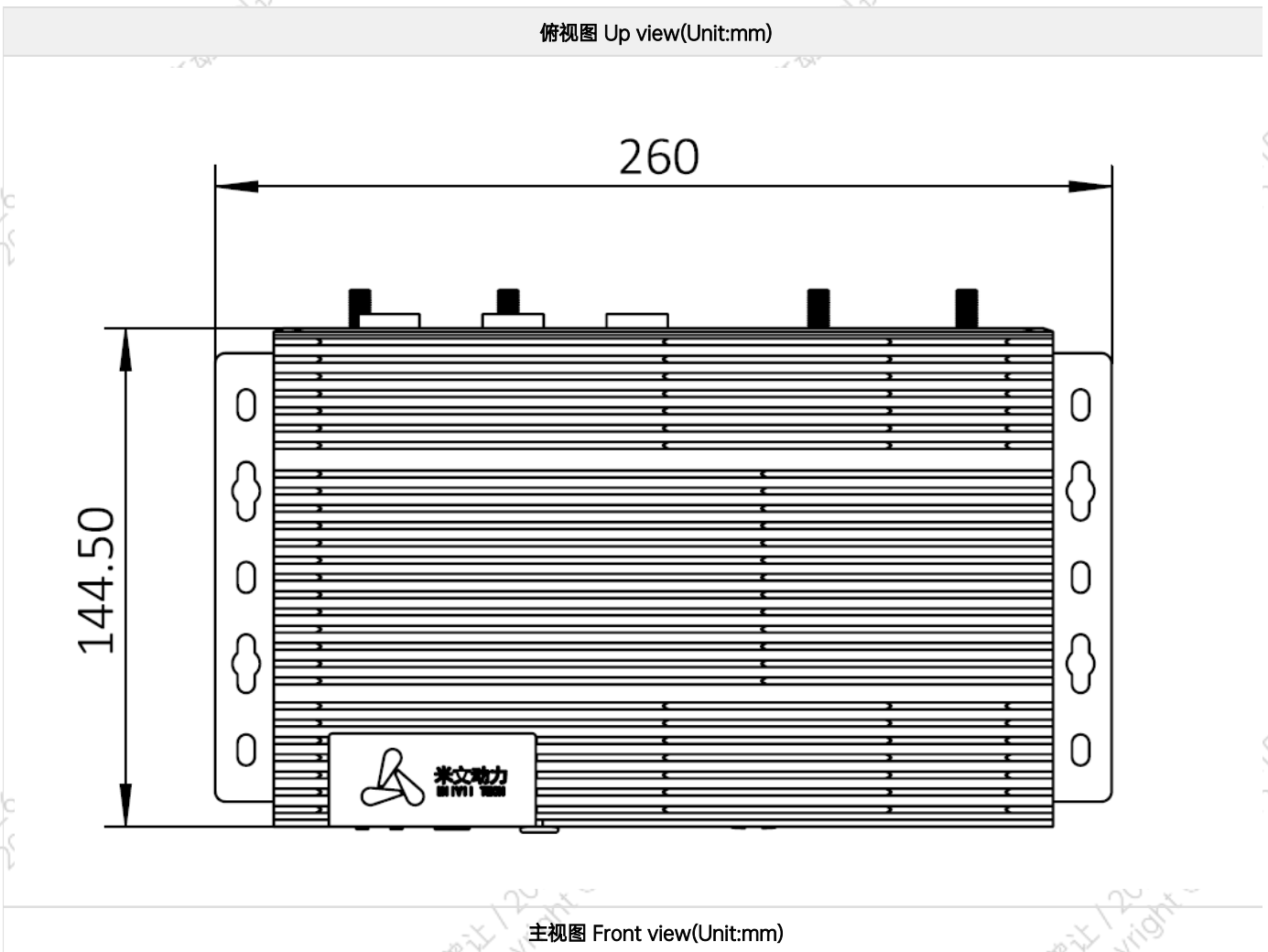


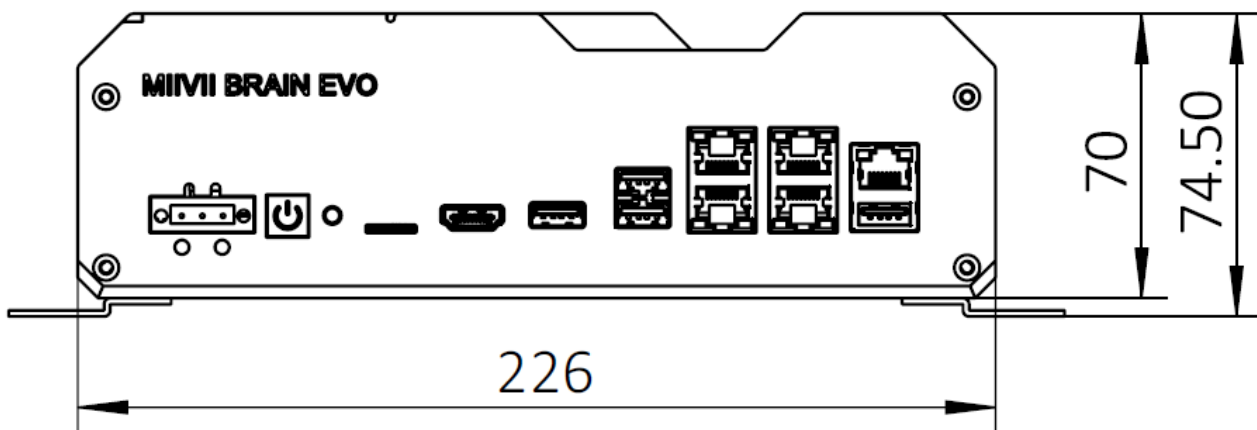


## 尺寸及安装 Install Dimension

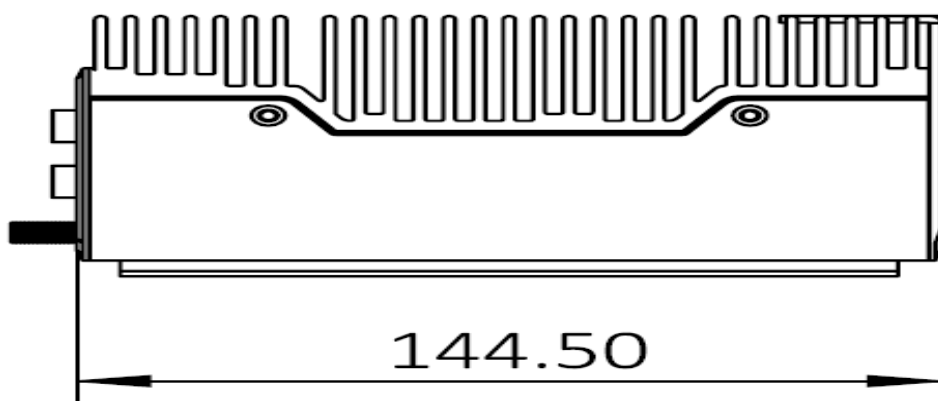
EVO Xavier主体尺寸及安装孔位尺寸如图:

Dimensions and mounting hole position as below:

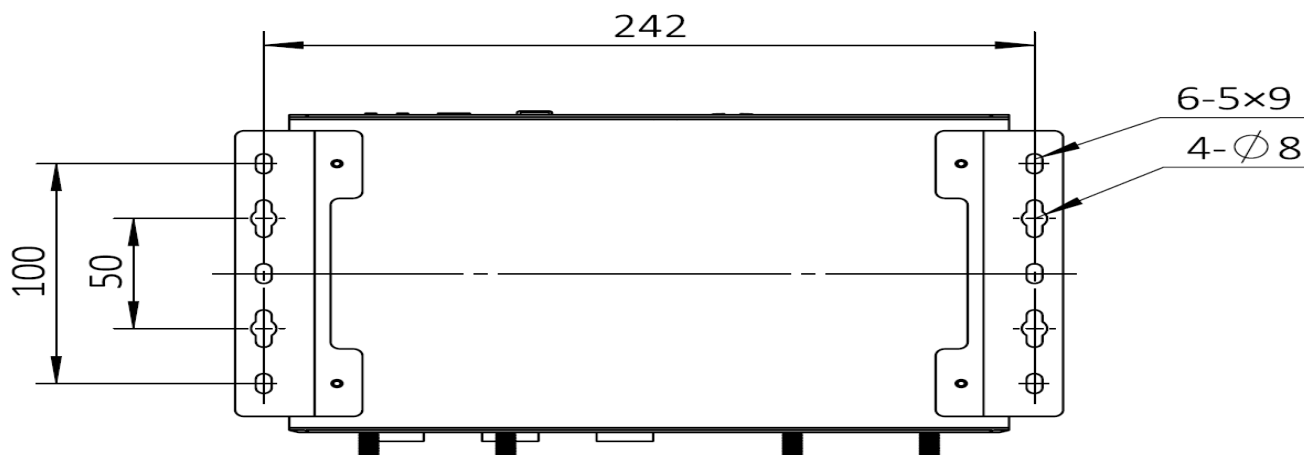




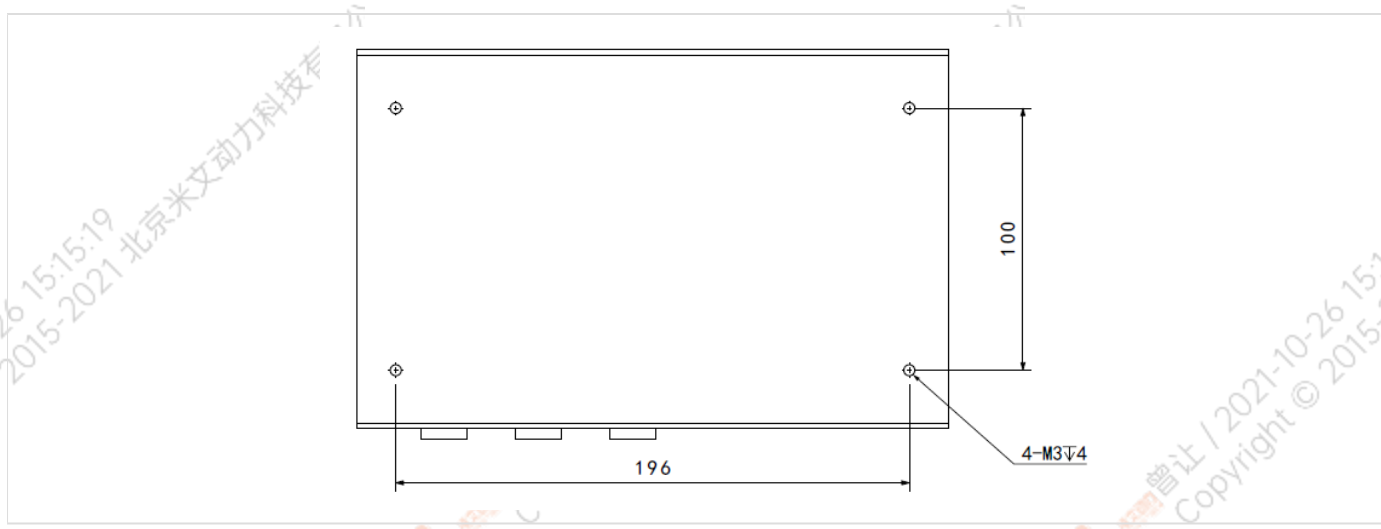
左视图 Left view(Unit:mm)



安装孔位图1 Mounting Hole(Unit:mm)



安装孔位图2 Mounting Hole(Unit:mm)



Copyright © 2015-2021 北京米文动力科技有  
/ 2021-10-26 15:15:19

Copyright © 2015-2021 北京米  
/ 2021-10-26 15:15:20

Copyright © 2015-2021 北京米文动力科技有  
/ 2021-10-26 15:15:20

Copyright © 2015-2021 北京米文动力科技有  
/ 2021-10-26 15:15:20

Copyright © 2015-2021 北京米  
/ 2021-10-26 15:15:21

Copyright © 2015-2021 北京米文动力科技有  
/ 2021-10-26 15:15:20

Copyright © 2015-2021 北京米文动力科技有  
/ 2021-10-26 15:15:20

Copyright © 2015-2021 北京米  
/ 2021-10-26 15:15:21