

Lite NX Spec

- Lite NX简介 Brief
- 特性 Features
- 产品规格 Specifications
 - 处理器模组 Processor
 - 接口 I/O
 - 供电 Power Supply
 - 结构 Mechanical
 - 环境 Environmental
 - 认证 Certification
- 产品外观 Appearance
- 尺寸及安装 Install Dimension

Lite NX简介 Brief

米文Lite NX是一款专为智能图像分析设计的嵌入式人工智能计算机，能够为众多终端设备赋予高达21Tops的计算力。Lite NX提供高效能的被动散热设计，能够在宽温的工作条件下稳定运行。同时Lite NX可以满足抗振防雷等工业标准，为整体方案的安全稳定保驾护航。为了满足场景的需求，Lite NX特别设计了多路PoE+接口，方便现场布线以及供电传感器的应用。

MiiVii Lite NX is an embedded AI supercomputer. It delivers massive computing capabilities and essential features to terminal devices. High performance passive cooling design enables Lite NX working in wide temperature range. With shock resistance and TVS, ESD protection, Lite NX is suitable for industrial usage. In addition, Lite NX is equipped with multiple PoE+ port which make it easier for field deployment.



特性 Features

- 高效被动散热设计

| *High performance passive cooling*

- -20°C-60°C工作温度

| *-20°C-60°C Operating temperature*

- IP5X防护等级

| *IP5X Protection*

- 工业级防雷，防静电

| *Industrial level lightning and static protection*

- 8路百兆PoE+接口，带有交换机功能。支持IEEE802.3at协议

8×PoE+ 100M Port, IEEE802.3at protocol

产品规格 Specifications

处理器模组 Processor

	Specification
Processor	NVIDIA Jetson Xavier NX
AI Performance	Up to 21T OPS
CPU	6-Core NVIDIA Carmel ARM®v8.2 64 bit CPU 6MB L2 + 4MB L3
GPU	384-Core Volta GPU with 48 Tensor Core
Memory	8GB 128-Bit LPDDR4x 51.2GB/s
DL Accelerator	2×NV DLA Engines
Storage	16GB eMMC 5.1
Video Encode	2x 4Kp30 6x 1080p60 14x 1080p30 (H.265 & H. 264)
Video Decode	2x 4Kp60 4x 4Kp30 12x 1080p60 32x 1080p30 (H.265) 2x 4Kp30 6x 1080p60 16x 1080p30 (H.264)

接口 I/O

	Interface	Quantity	Note
Function Key	Recovery Button	1	
Network/Camera	Ethernet	1×Gigabit Port 8×PoE+ 100M Port	PoE+ IEEE 802.3at protocol single port maximum output 30W
Video output	HDMI	1×HDMI 2.0 TYPE A	5V 1A
USB	USB	1×USB 3.0 TYPE A 1×USB 2.0 TYPE A	USB 5V, 1A Lower USB as a Flashing Port
I/O	UART	1×RS232 1×RS485	DB9 Terminal
User Expansion	M.2	1×M.2 M Key	2280 SIZE NVME SSD
	Mini PCIe	1	

Nano SIM Socket	1	For Nano SIM Card
-----------------	---	-------------------

供电 Power Supply

Power Supply	Spec
Input Type	DC
Input Voltage	52V DC
Typical consumption	30W

结构 Mechanical

Mechanical	Spec
Dimensions (W×H×D)	178mm×55mm×110mm (I/O ports and mounting holes excluded)
Weight	1.2Kg

环境 Environmental

Environmental	Spec
Operating Temperature	-20°C-60°C, 0.2~0.3m/s air flow ¹
Storage Temperature	-25°C-80°C
Storage Humidity	10%-90% non-condensing
Vibration	5gn,10Hz~150Hz,3 Axis ²
Protection	IP5X
ESD	Touch 6KV, Air 8KV ³
TVS	1KV ⁴
Lighting	Power 6KV ⁵

认证 Certification

Certification	Status
CCC, CE, FCC, RoHS, SRRC	Processing

[1] According to GB/T 2423-2008

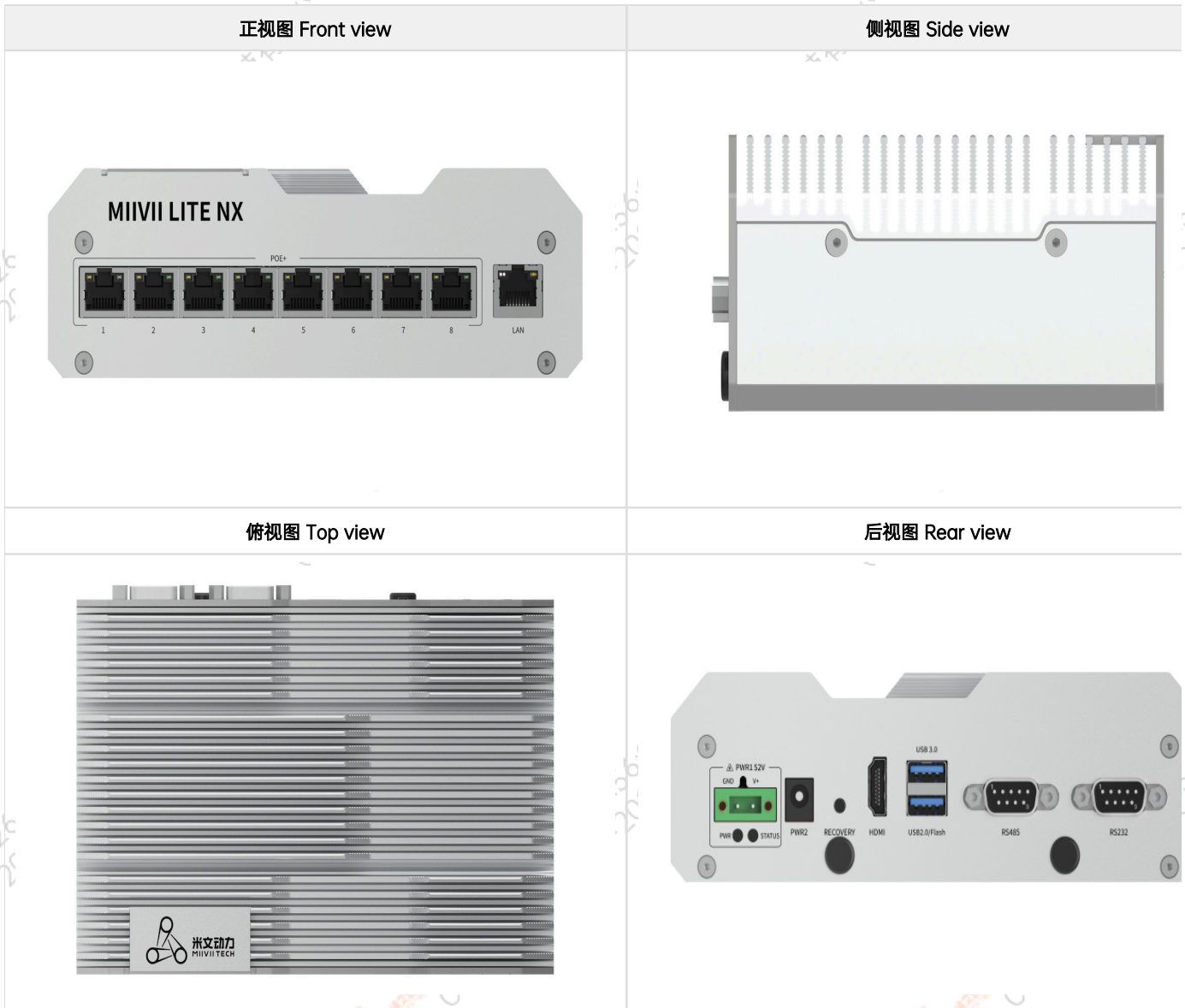
[2] According to GB/T 2423.10-2008

[3] According to IEC 61000-4-2, Level 3

[4] According to IEC 61000-4-5, Level 3

[5] According to GB/T3482-2008

产品外观 Appearance



尺寸及安装 Install Dimension

Lite NX主体尺寸及安装孔位尺寸如图:

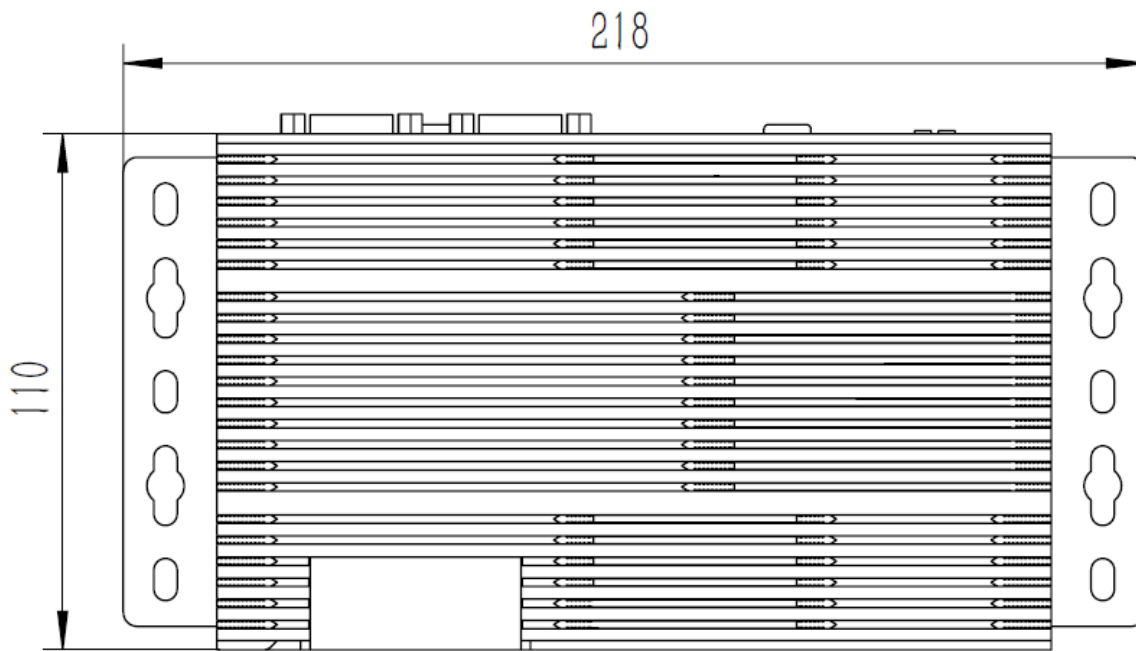
Dimensions and mounting hole position as below:

俯视图 Up view(Unit:mm)

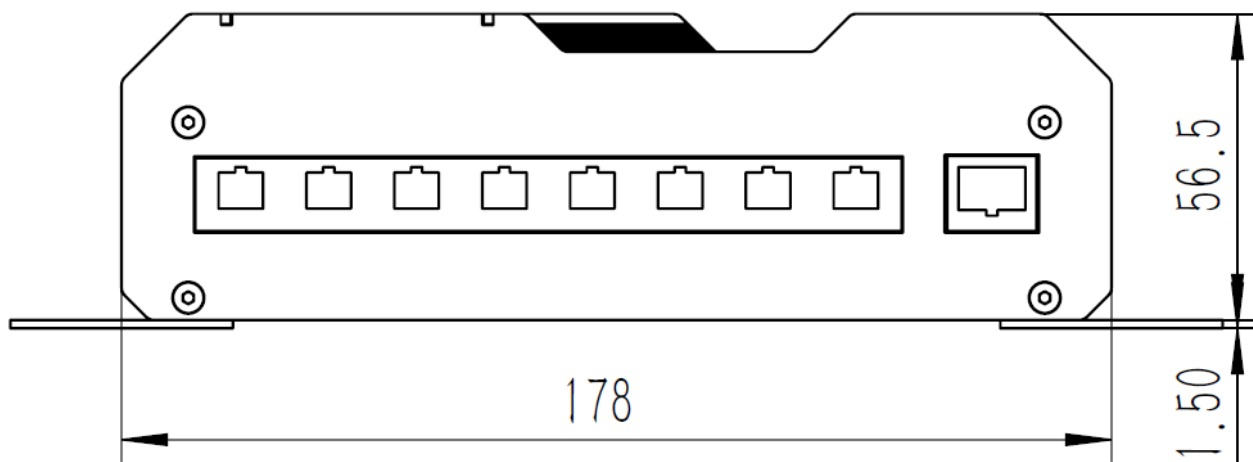
2021-10-26 14:55:59
Copyright © 2015-2021 北京米文动力

曾让 / 2021-10-26 14:56:00
Copyright © 2015-2021 北京米文动力

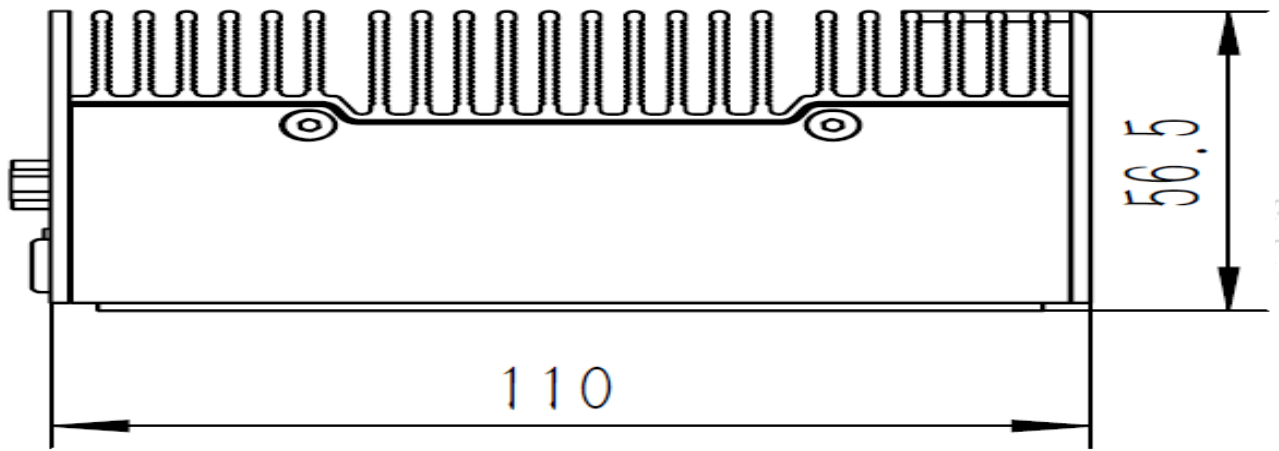
曾让 / 2021-10-26 14:56:00
Copyright © 2015-2021 北京米文动力



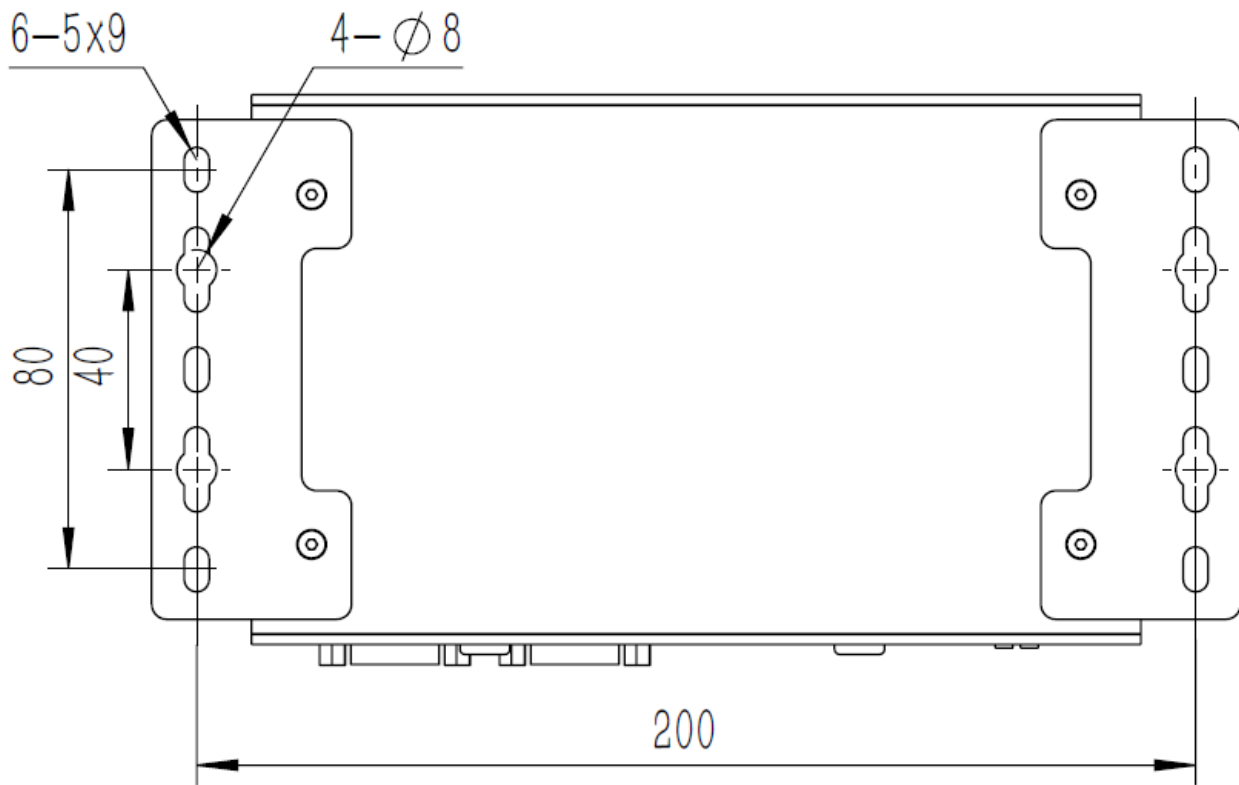
主视图 Front view(Unit:mm)



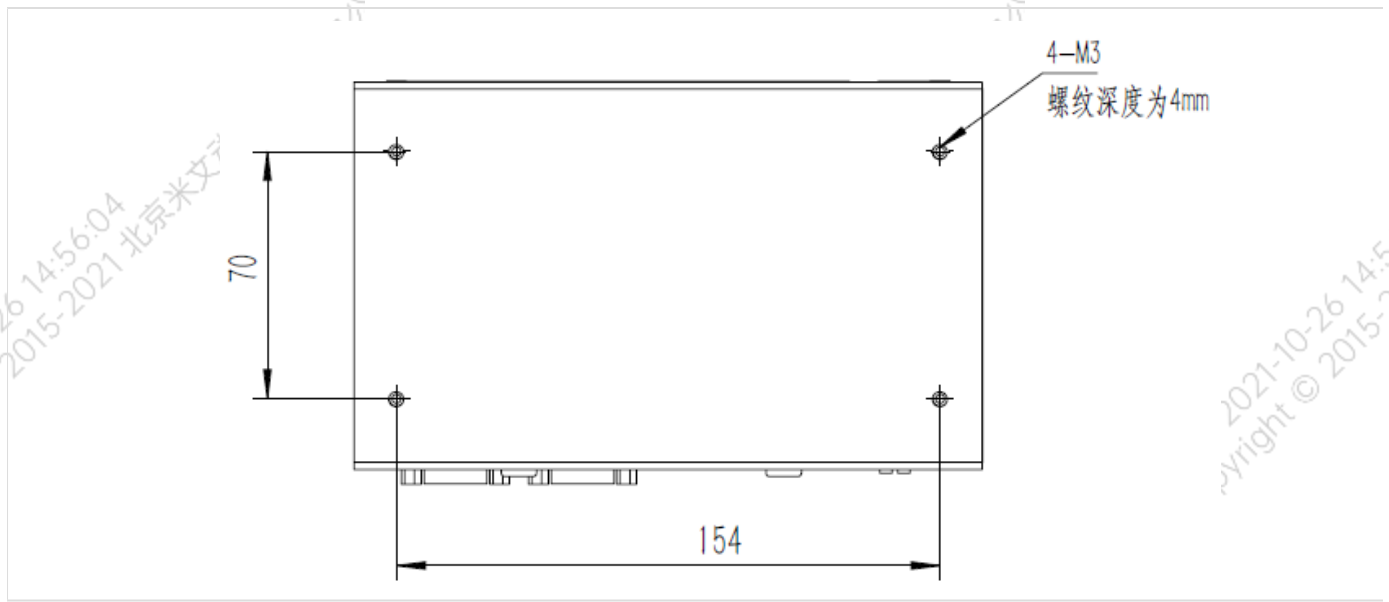
左视图 Left view(Unit:mm)



安装孔位图1 Mounting Hole(Unit:mm)



安装孔位图2 Mounting Hole(Unit:mm)



2021-10-26 14:56:04
Copyright © 2015-2021 北京米文动力

2021-10-26 14:56:05
Copyright © 2015-2021 北京米文动力

2021-10-26 14:56:04
Copyright © 2015-2021 北京米文动力科技有限公司

曾让 / 2021-10-26 14:56:05
Copyright © 2015-2021 北京米文动力科技有限公司

曾让 / 2021-10-26 14:56:06
Copyright © 2015-2021 北京米文动力科技有限公司

2021-10-26 14:56:05
Copyright © 2015-2021 北京米文动力科技有限公司

曾让 / 2021-10-26 14:56:05
Copyright © 2015-2021 北京米文动力科技有限公司

曾让 / 2021-10-26 14:56:06
Copyright © 2015-2021 北京米文动力科技有限公司